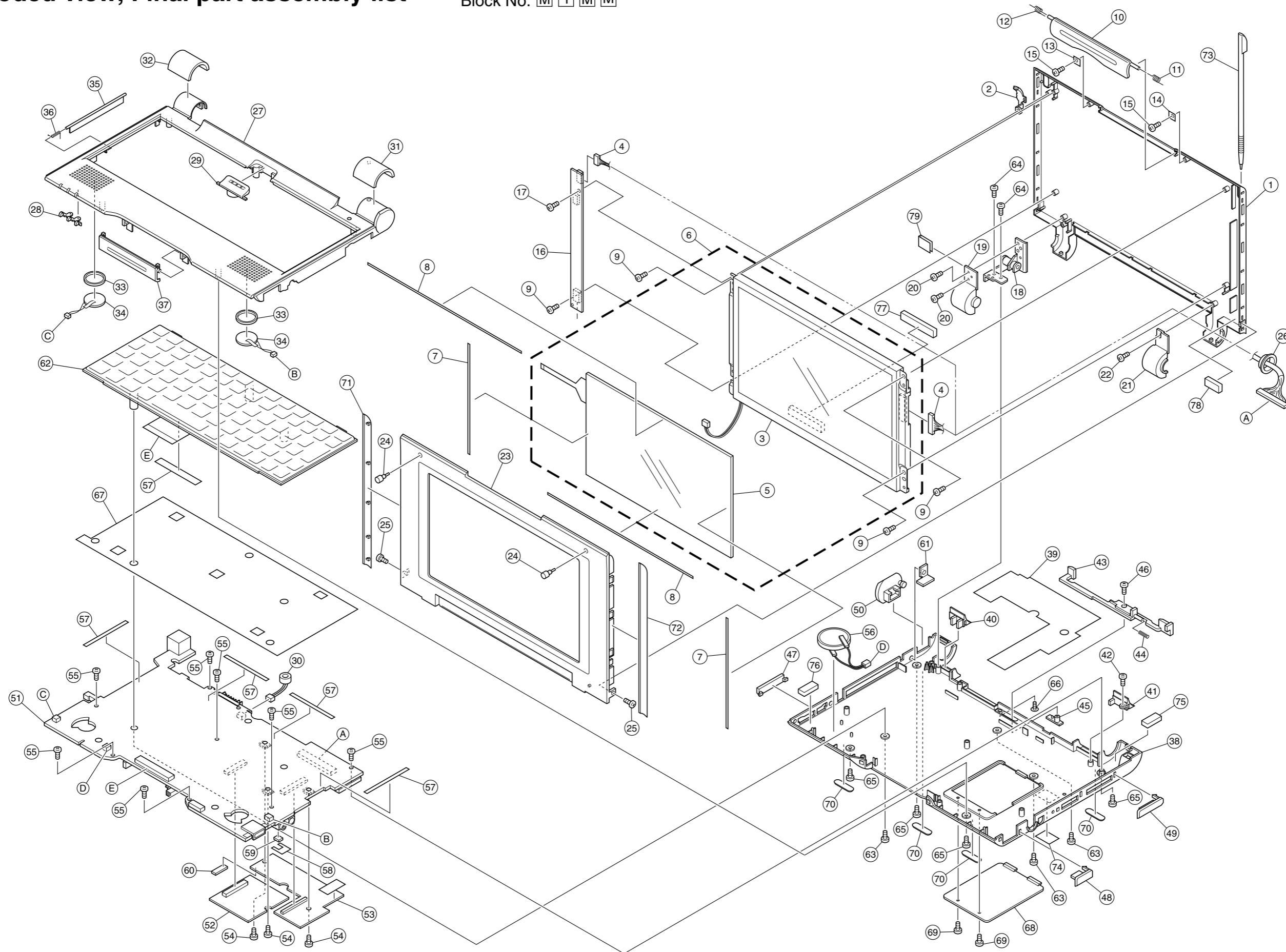


# Exploded view, Final part assembly list

Block No. **M** **1** **M** **M**



< MEMO >

## ■ Final assembly (1/2)

Block No. M1MM

△	Item	Parts number	Parts name	Price(Yen)	Description
	1	LE10239-002A	LCD PANEL	2560	
	2	LE40708-001A	CAP (BACK)	168	
	3	QLD0165-001	LCD	-	*
	4	WJZ0069-003A	WIRE ASSY		
	5	QAL0273-001	TOUCH PANEL	-	*
	6	QAL0273-001ASSY	LCD-TOUCH PANEL ASSY	20000	
	7	LE40739-001A	SPACER	168	
	8	LE40739-003A	SPACER	168	
	9	QYSSSP2004Z	SCREW	8	
	10	LE30862-003A	BUCKLE ASSY	392	
	11	LE40740-001A	SPRING	168	
	12	LE40770-001A	SPRING (L)	168	
	13	LE40723-001A	PLATE (L)	168	
	14	LE40738-001A	PLATE (R)	168	
	15	QYSSSPT2035Z	SCREW	8	
	16	QAL0272-001	INVERTER BOARD	1920	
	17	QYSSSPT2050N	SCREW	8	
	18	LE40735-001A	HINGE ASSY	448	
	19	LE30863-001A	HINGE COVER (1)	168	
	20	QYSPSPG2005Z	SCREW	8	
	21	LE30864-001A	HINGE COVER (2)	168	
	22	QYSPSPG2005Z	SCREW	8	
	23	LE10238-005A	LCD FRONT PANEL	1360	
	24	LE40737-001A	CUSHION	168	
	25	QYSSSPT2035Z	SCREW	8	
	26	LE40724-001A	RING	168	
	27	LE10241-006A	FUNCTION PANEL	672	
	28	LE30852-001A	INDICATOR	168	
	29	LE30866-001A	MIC CAP	168	
	30	QAN0040-001A	MICROPHONE	392	
	31	LE30877-001A	HINGE COVER (R)	168	
	32	LE30880-001A	HINGE COVER (L)	168	
	33	LE40800-001A	SPACER	168	
	34	QAS0075-001	SPEAKER	392	
	35	LE30849-001A	SHUTTER (PC)	168	
	36	LE40711-001A	SPRING	168	
	37	LE30850-002A	SHUTTER (CF)	168	
	38	LE10240-002A	BOTTOM CASE	2560	
	39	LE40767-001A	SHEET	168	
	40	LE30878-001A	COVER (L)	168	
	41	LE30879-001A	COVER (R)	168	
	42	QYSSSPT2050N	SCREW	8	
	43	LE30854-001A	LOCK LEVER	168	
	44	LE40718-002A	SPRING	168	
	45	LE30855-001A	SLIDE KNOB	168	
	46	QYSPSGT2040M	SCREW	8	
	47	LE40714-001A	SCREEN	168	
	48	LE40712-001A	CAP (USB)	168	
	49	LE40713-001A	CAP (extension connector)	168	
	50	LE40710-001A	CAP (MODEM)	168	
	51	QAL0368-001	MOTHER BOARD	20000	

• The parts that are marked \* are not supplied by JVC.

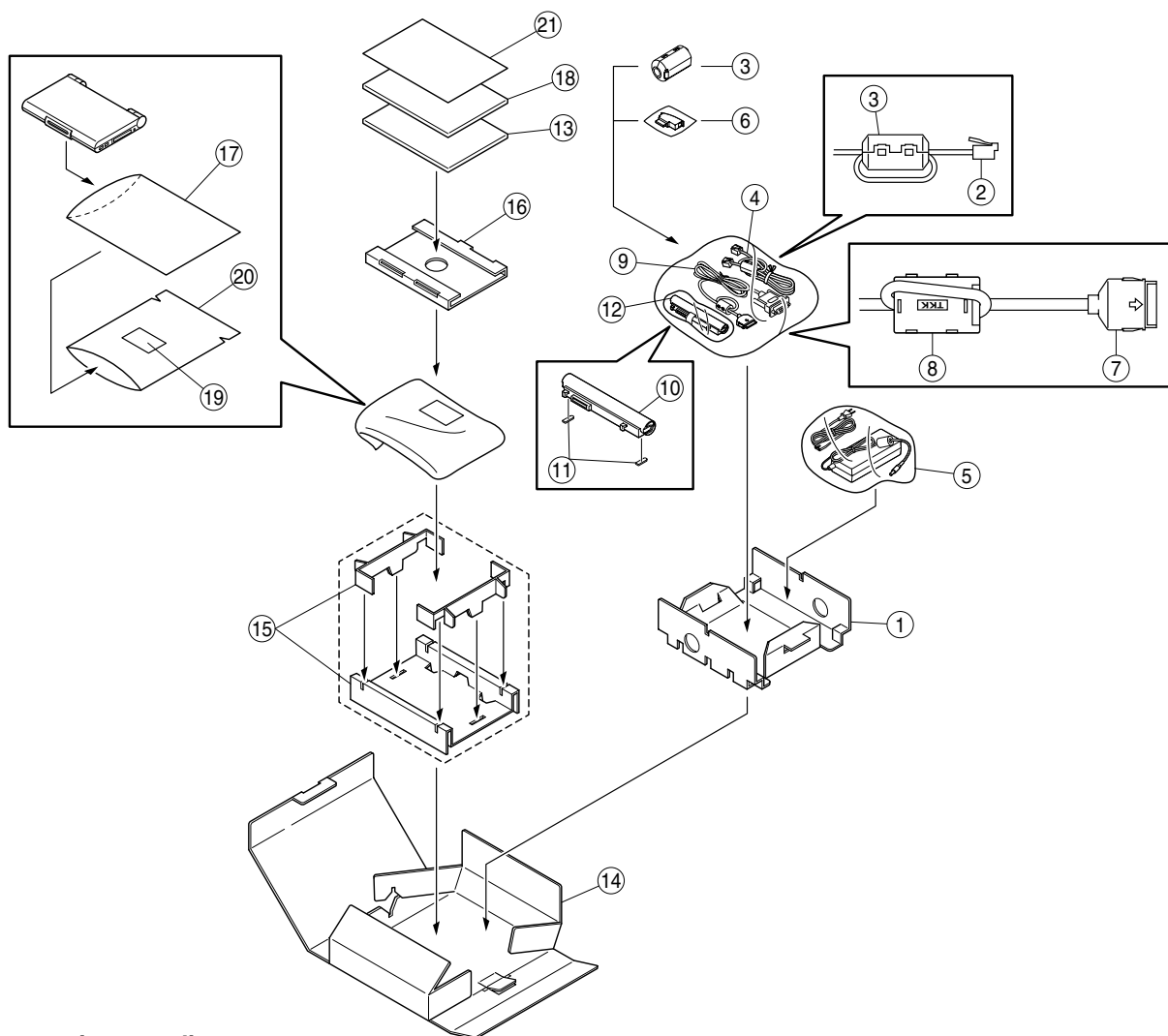
## ■ Final assembly (2/2)

Block No. M1MM

⚠	Item	Parts number	Parts name	Price(Yen)	Description
	52	QAL0367-001	ROM BOARD	7000	
	53	QAL0373-001	RAM BOARD	3920	
	54	QYSPSP2003M	SCREW	8	
	55	QYSDSP2004Z	SCREW	8	
	56	QAB0032-001	BATTERY	504	
	57	LE40777-003A	SPACER	168	
	58	LE40776-001A	SPACER	168	
	59	LE40777-002A	SPACER	168	
	60	LE40777-001A	SPACER	168	
	61	LE40772-001A	JACK HOLDER	168	
	62	QSW0953-001	KEY BOARD ASSY	2560	
	63	QYSPSP2004N	SCREW	8	
	64	QYSPSPG2005Z	SCREW	8	
	65	QYSPSF2005N	SCREW	8	
	66	QYSSSGT2040N	SCREW	8	
	67	LE30903-002A	SHEET	168	
	68	LE30858-001A	ROM COVER	168	
	69	QYSSSPT2050N	SCREW	8	
	70	LE40715-001A	FOOT	168	
	71	LE30847-003A	SIDE FITTING (L)	168	
	72	LE30848-003A	SIDE FITTING (R)	168	
	73	LE40697-003A	PEN ASSY	224	
	74	LE40781-002A	LABEL	168	
	75	LE40840-002A	GASKET	168	
	76	LE40840-003A	GASKET	...	
	77	LE40840-005A	GASKET	...	
	78	LE40840-004A	GASKET	...	
	79	LE40870-001A	COPPER TAPE	...	

• The parts that are marked \* are not supplied by JVC.

# Packing materials and accessories parts list

Block No. **M** **2** **M** **M**

## Accessories parts list

Block No. M2MM

▲	Item	Parts number	Parts name	Price(Yen)	Description
	1	HQ300185-003	Parts Case	-	
	2	QAM0152-001	Line Cord	168	
	3	QQR0491-001	Noise Filter	392	
	4	QAM0152-001ASSY	Line cord-Noise Filter Assy	560	Telefon-Anschlusskable
▲	5	QAL0364-001	AC Adapter	3480	Netzadapter
	6	QAM0388-001	Adapter Plug	392	Telefonadapter
	7	QAM0320-001	PC Cord	-	*
	8	QQR1288-001	Ferrite Core	-	*
	9	QAM0320-001ASSY	PC Cord-Ferrite Core Assy	2480	Serielles Kadel
	10	QAB0047-001	Battery	-	*
	11	LE40734-001A	Foot	-	*
	12	QAB0047-001ASSY	Battery-Foot Assy	6930	Akku (Spezifischer Lithiumionen-Akku)
	13	LE31004-002A	Microsoft CD	20000	Aicrosft ActiveSync3.1CD-ROM
	14	LE30826-008A	Packing Case	-	*
	15	LE30883-001A	Bottom Case Assy	-	*
	16	LE30882-001A	Upper Cover	-	*
	17	HQ300182-001A	Envelope	-	*
	18	LET0197-001A	Inst Book	448	Bedienungsanleitung
	19	LE31016-001A	Caution Label	-	*
	20	LE40866-001A	Envelope	-	*
	21	LE31019-001A	EC Sheet	-	

• The parts that are marked \* are not supplied by JVC.

■ Other servicing parts

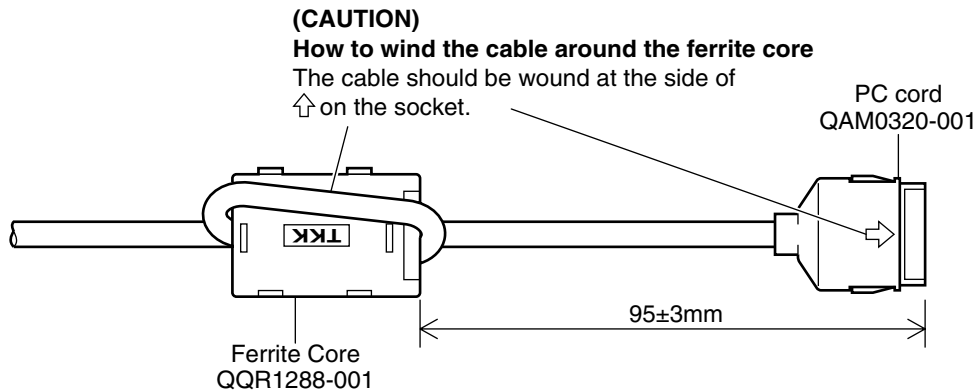
Parts number	Image	Parts name	Price(Yen)	Description
QAM0325-001		External display connection cable (VGA Cable)	3920	

■ LCD Touch Panel Ass'y

The LCD-Touch Panel Ass'y is composed of two component parts, the LCD and the Touch Panel. This service part is supplied as a combination of the two component parts. The LCD and the Touch Panel are not supplied as individual parts. The assembly of these component parts requires the use of a clean dust-proof room and special tools such as a dust removal roller. The JVC IT Network Division possesses these facilities and equipment but does not supply these special tools to the users. Although the cost of the LCD-Touch Panel Ass'y is usually very high, this assembly is priced at a special low price.

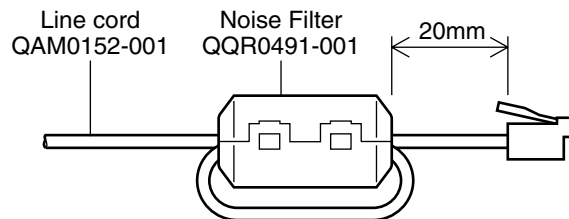
■ Provided Accessory "Serielles Kabel"

The "Serielles Kabel" provided with the unit is composed of two component parts, PC Code and a Ferrite Core. Please assemble these parts as described below.



■ The Provided Accessory "Telefon Anschlusskabel"

The "Telefon Anschlusskabel" provided with the unit is composed of two component parts, a Line Cord and a Noise Filter. Please assemble these parts as described below.



■ Mother Board Ass'y

When ordering a new Mother Board Ass'y, please also forward the defective board to the JVC IT Network Division. The IT Network Division will repair and recycle the board in order to supply this originally very high-cost part at a special low price.

**Inquiries:**

For inquiries about technical questions or those regarding servicing parts supply, please consult the following:

QUALITY ASSURANCE GRP.  
IT NETWORK DIVISION  
AV & MULTIMEDIA COMPANY  
VICTOR COMPANY OF JAPAN, LIMITED

Telephone: 81-46-278-1889

Facsimile: 81-46-278-2018

Address: 1644, Shimotsuruma, Yamato, Kanagawa 242-8514, Japan